

SFS Series

Mid-Travel, Soft Sound Tactile Switch



Specifications

Function	Momentary action
Contact Arrangement	1 make contact = SPST N.O.
Terminals	Gold plating, G type for SMT and THT for manual soldering

Travel

Operating Force	Travel
360 ± 70 gf	0.6 ± 0.2 mm
680 ± 160 gf	0.7 ± 0.2 mm
970 ± 250 gf	0.8 ± 0.2 mm

Mechanical Characteristics

Operating Life With Load	300,000 cycles
Operating Life Without Load	1,000,000 cycles

Electrical Characteristics

Max. Voltage	35 VDC
Max. Current DC	100 mA
Max. Power DC	1 W
Contact Resistance	100 mΩ
Insulation Resistance	1000 MΩ Min.
Dielectric Voltage	< 0.5 mA

Environmental Characteristics

Operating Temperature	-40°C to 90°C
Storage Temperature	-40°C to 80°C

Description

SFS, the mid-travel and soft sound tactile solution, construction with standard overall dimension 12 x 12 mm with 360, 680 & 970 gf version options.

Features & Benefits

- Construction with standard dimension 12x12 mm overall size
- Gold plating contacts
- SMT termination design
- Unique click & a sealed contact system
- 360 gf, 680 gf & 970 gf versions

Applications

- Measurement-control-regulation
- Monitoring system
- Automotive (steering wheel, mid-console, window lifter)
- Navigation
- Disposable medical devices
- Patient monitoring
- Scan system

Process

Soldering	This component is suited to the following methods: Infrared Reflow Soldering in accordance with J-STD-020
Packaging	700 pieces per reel, 58 pieces per tube

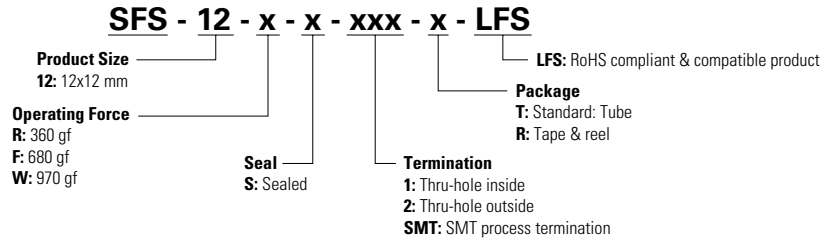
SFS Series

Mid-Travel, Soft Sound Tactile Switch

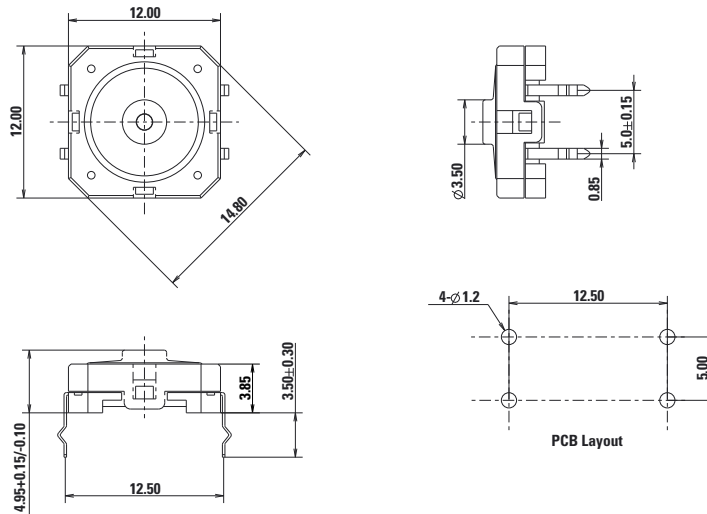


Ordering Number

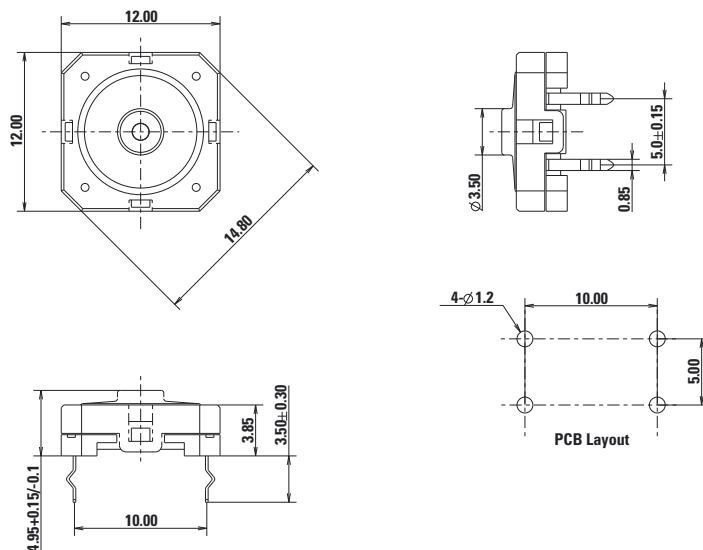
Our easy build-a-switch concept allows you to mix and match options to create the switch you need. To order, select desired option from each category and place it in the appropriate box. For any part number different from those listed above, please consult your local representative.



SFS12XS2T LFS Drawings and Dimensions



SFS12XS1T LFS Drawings and Dimensions

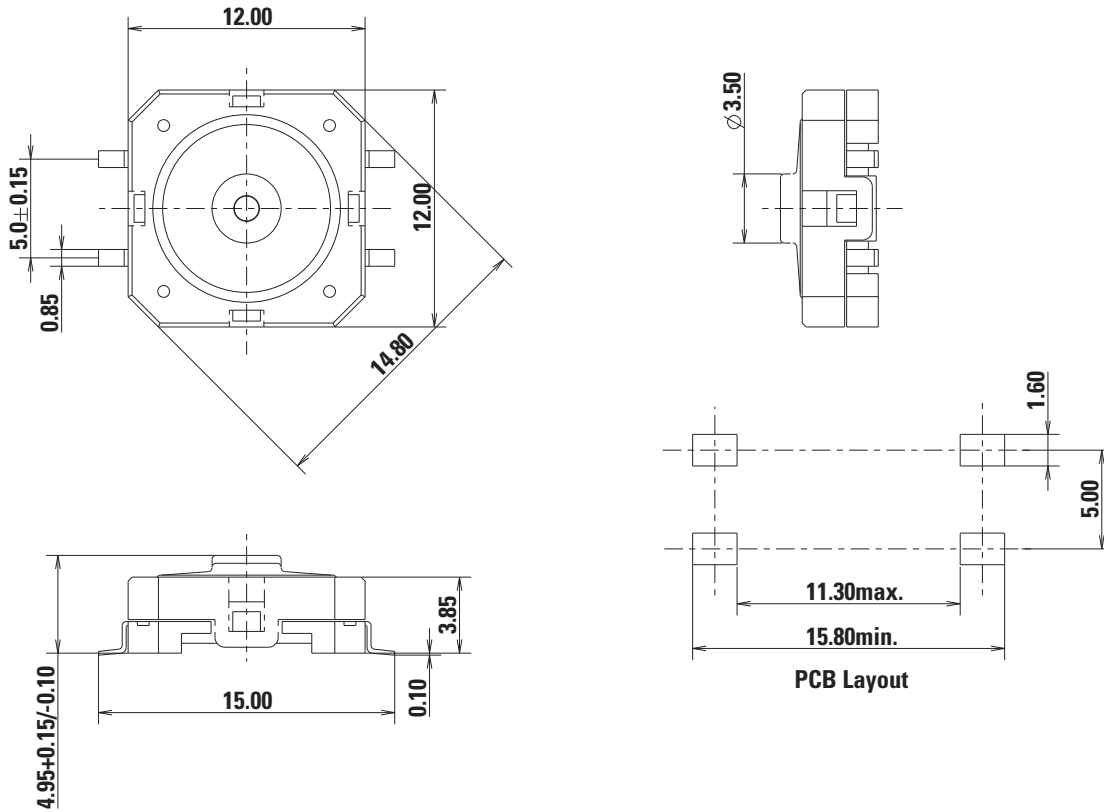


SFS Series

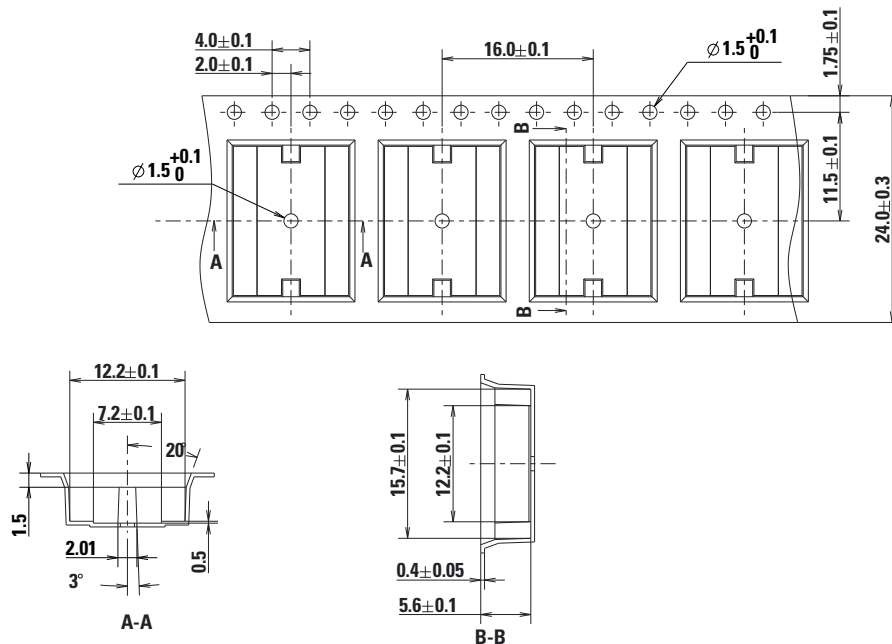
Mid-Travel, Soft Sound Tactile Switch



SFS12XSSMTX LFS Drawings and Dimensions



Tape & Reel



Disclaimer Notice - Information furnished is believed to be accurate and reliable. However, users should independently evaluate the suitability of and test each product selected for their own applications. Littelfuse products are not designed for, and may not be used in, all applications. Read complete Disclaimer Notice at <http://www.littelfuse.com/disclaimer-electronics>.