

HDP Series Micro Mini Side Actuated Surface Mount Detect Switches



Features/Benefits

- Low profile
- Side actuation
- Right and left options available
- Low actuation force
- Lead free and halogen free

Typical Applications

- Consumer electronics
- Computers
- Medical devices
- Mobile Communications
- ATCA and MicroTCA devices

Specifications

CONTACT RATING: 1 mA 5 VDC
 MECHANICAL AND ELECTRICAL LIFE: 100,000 cycles min.
 CONTACT RESISTANCE: < 500 m Ω initial.
 INSULATION RESISTANCE: > 100 M Ω
 OPERATING TEMPERATURE: -20°C to + 70°C
 STORAGE TEMPERATURE: -30°C to + 80°C
 PACKAGING: tape & reel; 2,500 per reel.
 TRAVEL:
 Pre-travel 0.15 mm min.
 "ON" starting position 2.96 +/- 0.25 mm
 Total Travel Position: 1.3 mm
 Total Travel: 1.9 mm

Materials

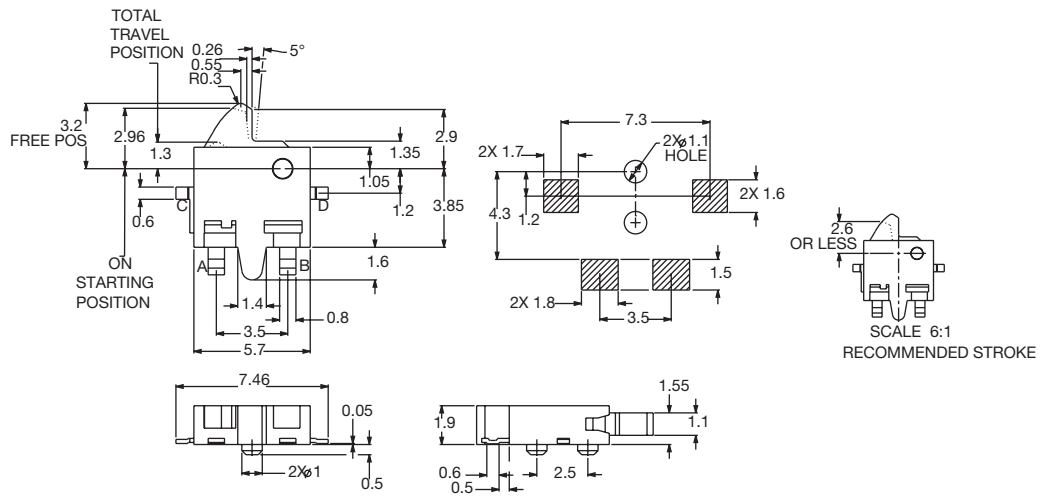
BASE: PA 46 (UL94HB) - halogen free
 ACTUATOR: PA 46 (UL94HB) - halogen free
 HDP001R - black body/actuator
 HDP001L - grey body/actuator
 MOVABLE CONTACTS: Stainless Steel, Silver over nickel plate.
 FIXED CONTACTS/TERMINALS: Phosphor Bronze, Silver plate.

NOTE: Specifications and materials listed above are for switches with standard options. For information on specific and custom switches, consult Customer Service Center.

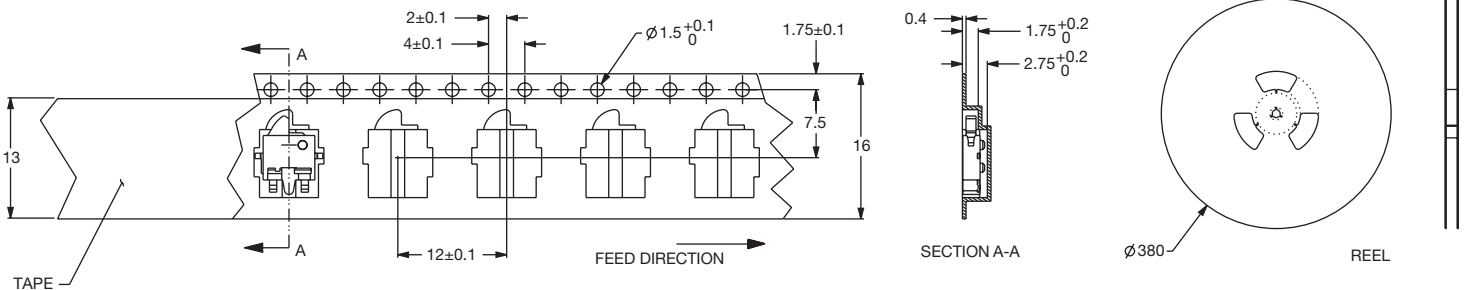
Build-A-Switch

Complete part numbers for HDP Series are shown below.

PART NUMBER	PACKAGING	SCHEMATIC
HDP001R Black body/ actuator	TAPE & REEL	



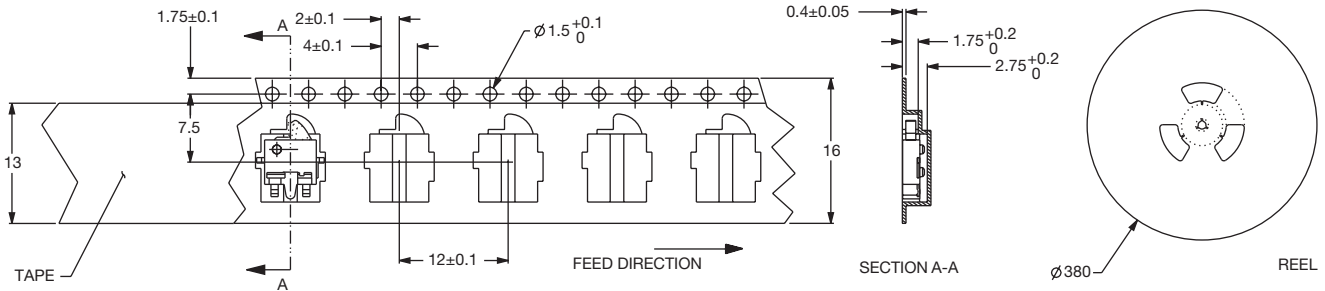
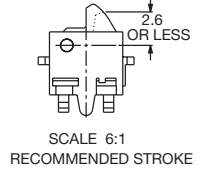
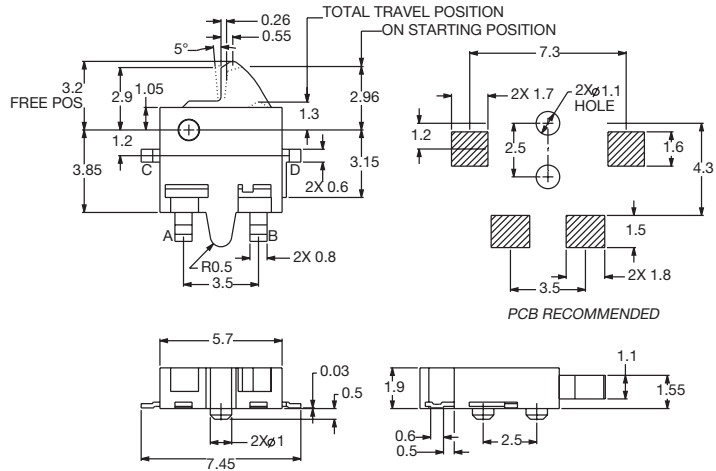
Detect



HDP Series Micro Mini Side Actuated Surface Mount Detect Switches



PART NUMBER	PACKAGING	SCHEMATIC
HDP001L	TAPE & REEL	
Grey body/ actuator		



Detect